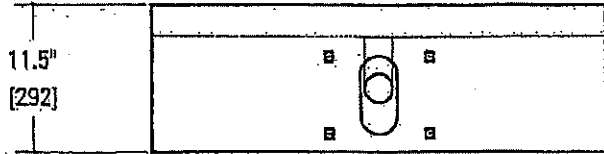


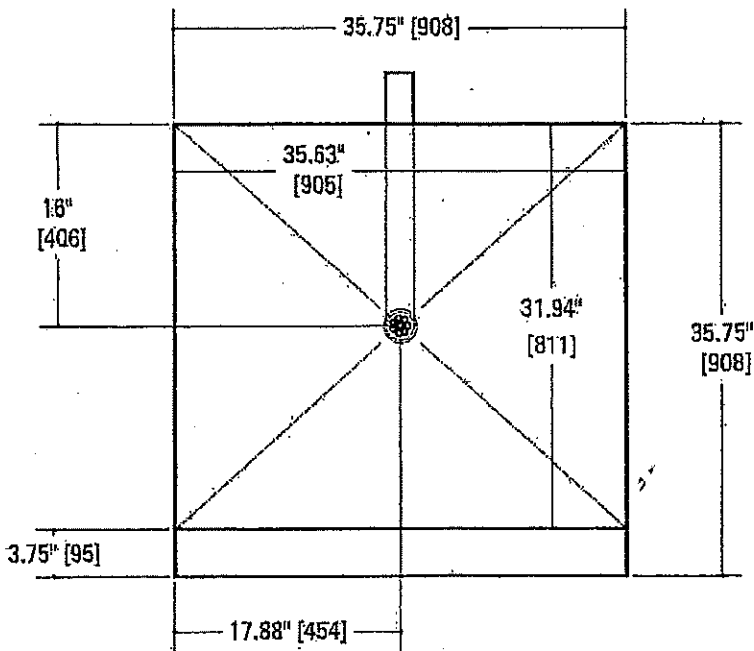
DESCRIPTION

Shower base floor is fabricated using 12 GA Type 304 stainless steel. Floor is reinforced with channel braces on bottom side. Exposed surfaces have a blended stain finish with slip resistant treatment on the floor areas.

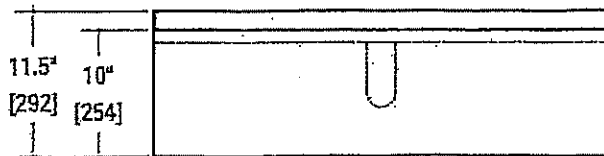
The floor is creased to drain. The standard drain outlet is an integral perforation in the bottom with a 2-3/8" OD stainless steel elbow waste integrally welded below. The plain end waste pipe is extended 4" beyond the shower base. Connection to the drain is made utilizing a clamp style coupling.



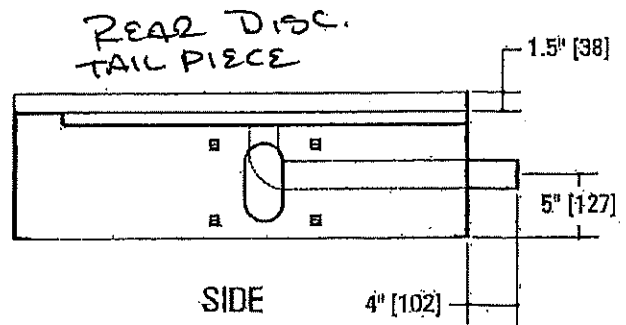
BACK



*L-3
Shower*



FRONT



SIDE